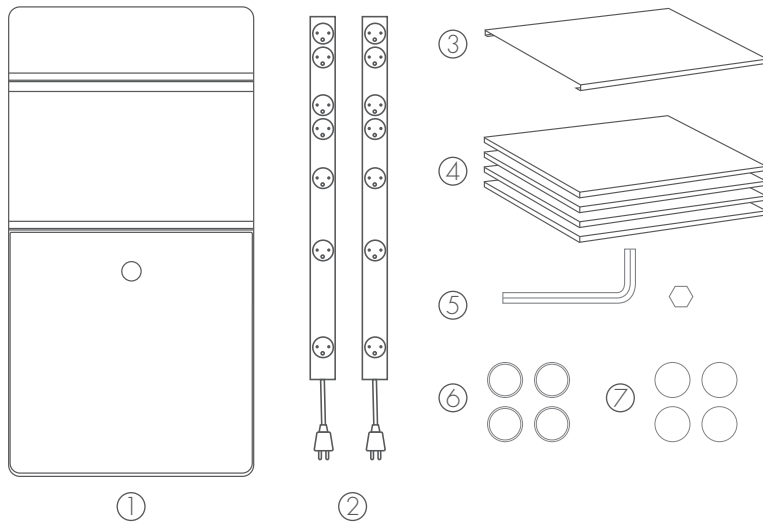
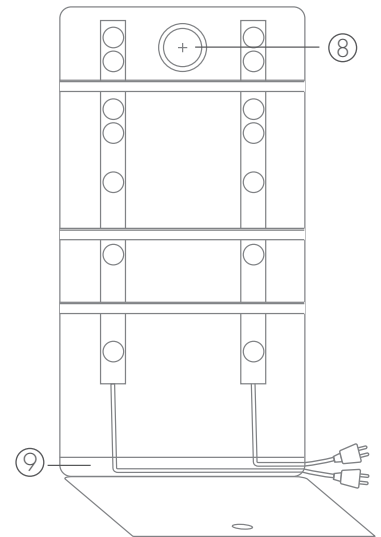


PARCEL CONTENTS

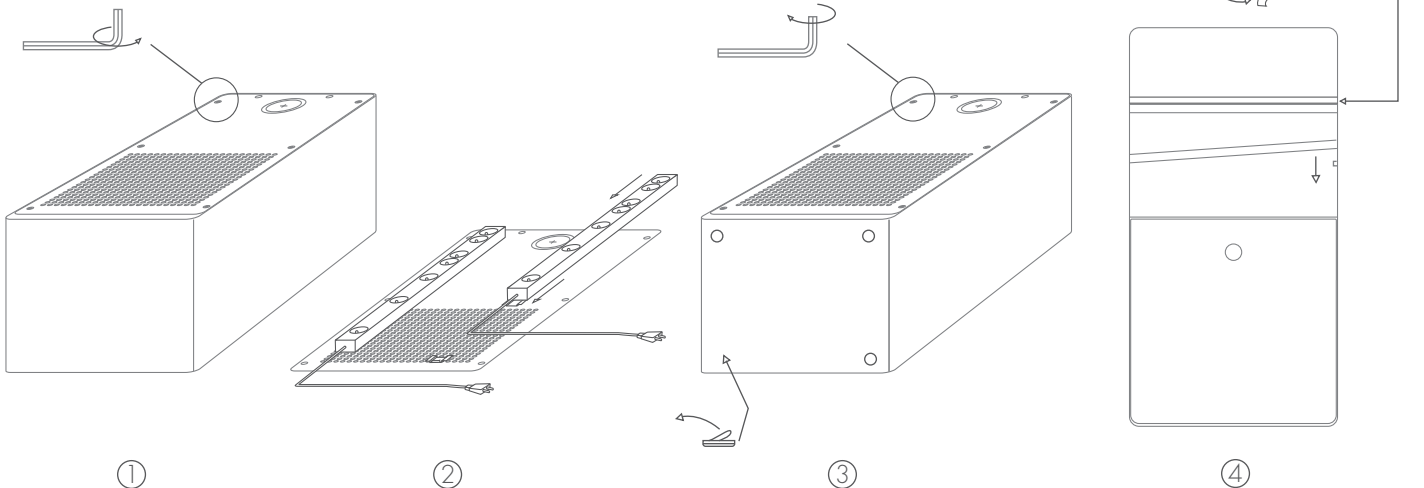


- 1 1 steel plated cabinet
- 2 2 power strips
- 3 1 removable shelf
- 4 4 adhesive felt covers
- 5 1 Allen key
- 6 4 adhesive Teflon sliding pads
- 7 4 adhesive felt pads
- 8 top wire tunnel
- 9 lower wire tunnel

FINAL ASSEMBLY



INSTALLATION: TAKE OFF the removable back panel and keep the door CLOSED during handling.



① Place your cabinet face down. Unscrew the back of the cabinet with the Allen key.

② Put the back panel of the cabinet on the floor and insert the two power strips on the runners.

③ Reposition and screw the panel of the cabinet back on. If necessary, fix the pads under your ELEPHANT CHARGE BOX once you have removed the protective film.

④ Put your cabinet upright and place the removable shelf. Remove the protection film from the adhesive of the felt covers. Position each felt cover on the shelves by propping it against the back panel.

Your ELEPHANT CHARGE BOX is ready!

SPECIFICATIONS

Steel plated cabinet and polyester epoxy paint
Felt covers 100% auto-extinguishing dyed pure wool.
Do not submit to temperatures > 130 °C.

2 x 7 CE/NF standard power sockets.

Aluminium base, flame-retardant polycarbonate sockets, professional quality, based on best practices, in compliance with 2066/95/CE, 89/106/CEE, 93/68/CEE and 204/108/CE specifications

Depending on country: France UTE 16A/250V - SCHUKO

16A/250V - UK 13A/250V - USA 13A/250V.

Manufacture and accessories 100% French

Idea and edition: LaPaDD

Design AD HOC design

Production: Tolix Steel Design

With the support of:



MAINTENANCE ADVICE

Never use aggressive cleaning products, abrasive or metal sponges.
Clean the steel plated part with a wet sponge with savon de Marseille or washing up liquid. The sponge must not be soaked.
Dry as soon as possible with a clean and dry cloth.
Never clean power sockets with a sponge.

WARNINGS

- Keep small pieces and bags out of the reach of children (risk of ingestion and suffocation).
- Do not let children play with power sockets.

- Keep children away from the Elephant Charge Box to avoid any risk of electrocution.
- Elephant Charge Box must not be used by children without the supervision of a responsible adult.
- Never insert metal objects in power sockets (risk of electrocution).
- Never place on your Elephant Charge Box any recipient containing water or liquid.
- Not respecting the instructions stated above can compromise the security and the quality of the product.



Please recycle

Elephant Charge Box is edited by LaPaDD sarl.

30 rue du plateau, 92500 Rueil Malmaison (France) - tel + 33 9 51 13 77 39 - info@lapadd.com - www.lapadd.com