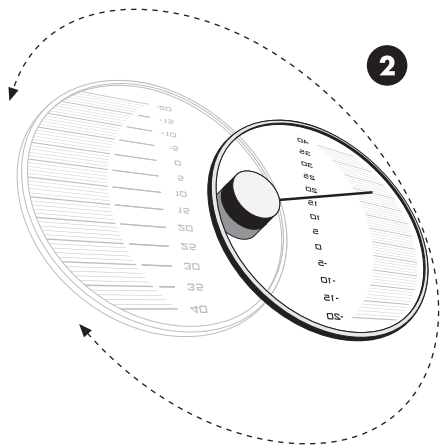


## LOOK LIGHT Outdoor thermometer with adhesive mounting

### 1. Installation

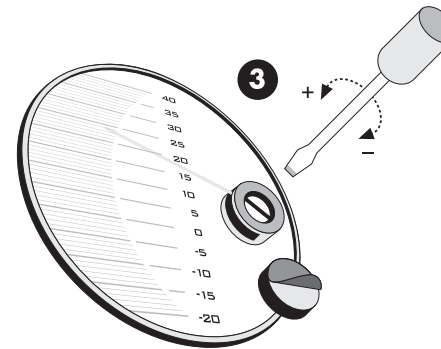
The desired position must be determined and marked before the protective film on the sticker is removed. Make sure you leave enough distance from the window frames (at least 65mm) and from the roller blinds (at least 40mm) if any are present. Clean the desired position completely, making sure that there is no dust or grease on the surface. Remove the protective film from the sticker and place the thermometer in the desired area.

The thermometer can be removed from the holder for cleaning or re-calibration by holding the thermometer rim firmly and carefully pulling it out. Never detach the thermometer by holding the stainless steel piece in the centre.



### 2. Change orientation / Cleaning windows

The thermometer can be oriented exactly as you wish or be temporarily oriented differently in order to clean the window

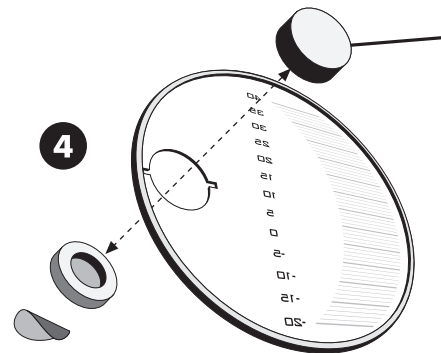


### 3. Calibration

LOOK LIGHT Thermometers are calibrated at the factory. The thermometer can easily be re-calibrated if necessary. The thermometer must be detached from the holder carefully. Then, using a flat screw driver, turn the adjustment screw as shown in the diagram on the left.

### 4. Cleaning

For cleaning, it is possible to dismount the thermometer in 3 parts, that can safely be remounted thanks to the denting in the plastic part.



**Caution:** metal parts can become very hot when in direct sunlight. Furthermore, exposure to direct sunlight can lead to a temperature display that is false or too high.